

VERTICAL SHAFT IMPACT CRUSHER

An Absolute Sand Making & Aggregate Shaping Machine



*ALL PRODUCT, PRODUCT SPECIFICATIONS AND DATA ARE SUBJECT TO CHANGE WITHOUT NOTICE TO IMPROVE RELIABILITY, FUNCTION OR DESIGN.

INDUS IVI SERIES
VERTICLE SHAFT IMPACTOR

INDUS VERTICAL IMPACTOR CRUSHER

Indus Vertical Impactor are made with art of engineering Rock on Rock & Rock on Avial principle.

Indus Vertical shaft Impactor (VSI) crushers are deigned to be used in making the sand in secondary, tertiary or quaternary stage crushing. The crushers are suitable for wide range of applications including the production of high quality manufactured sand, well-shaped aggregates and other minerals.

Indus crushers are very high value solution due to its unique design.

Advance alternatives with open table designs, multi- port rotors and larger bearings gives high value solutions and deliver high performance.

**OPERATIONAL
RELIABILITY**

**COST
EFFECTIVENESS**

RELIABLE SERVICE

ARE OUR "MOTO"

We have more than **25 year** of experience in manufacturing & marketing of construction equipment's.

We offer you a latest technology, flexible & customised designs.



VERTICAL SHAFT IMPACT CRUSHER

FEATURES

Easy maintenance with top cover hydraulic lifter

UNIQUE CHAMBER DESIGN WITH HARDOX

The Hardox steel is able to bend to absorb impact while still retaining its original shape. However, for flexibility to truly aid in longevity.

ACLS

Machines comes with a optional word best Automatic Centralize lubricating system which gives very good maintainability to the machines (Optional)

CRUSHER BODY

Large Receiving Hopper

Heavy- duty main pedestal

Lid & mainframe protected with special alloy Hardox material.

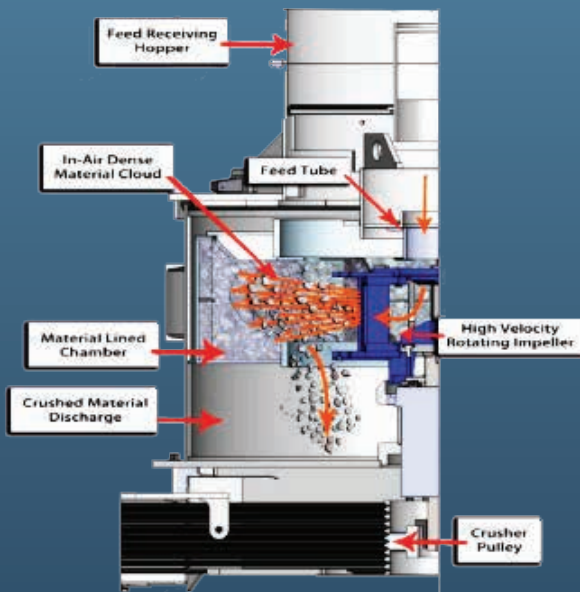
Tungsten carbide component on rotor.

Bearing assembly mounted on a rigid base frame support provides maximum strength ideal for large feed or high speed applications.

Safety features include: Bearing temperature & vibration switch.



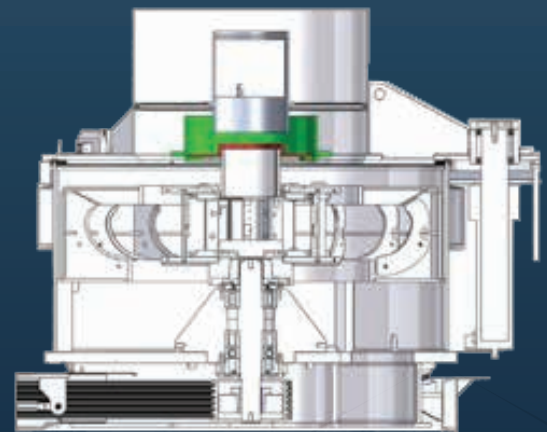
INDUS AUTOGENETIC CRUSHING PROCESS



Rock on Rock reduction of all material feeds is achieved high velocity energy transferred which commences as the rock feed enters the feed tube . At this point it is moving by gravity. When the incoming continue ribbon of the rock particles passes over the centre distribution plate of the rotor, It is divided into separate multiple streams. These are forcefully impacted on the trolling edge of the autogenous waves at the centre of the rotor ports exit . As the material begins its path through the rotor. Its being compressed by the rising centrifugal forces created by the the rotor's rotation.

INDUS SANDER IMPACTOR WITH ROCK ON ROCK AND ROCK ON AVIAL

Indus Crusher utilise advance geometry designed rotors of multiple ports & multiple heights. These rotors are available in short, standard and tall design to suit specific application requirements. This provides the great versatility and broadest application range for Indus VSI crusher. Indus VSI crusher uses 3, 4, 5 or 6 Port for different rocks & applications.



ADVANCE GEOMETRY DESIGNS

**RESULTS
DELIVERED
TO PERFECTION**

**AFFORDABLE
PRICE**

**SAFER
BETTER
HASSLE FREE**



MODELS	IVI 1004	IVI 2004	IVI 3004	IVI 4004
Drive Arrangement	Single	Single	Single	Single
Power (KW/HP)	75/100 : 90/120	110/150 : 160/215	160/215:225/300	250/335:375/500
Rotors No of Port	4	4	4	4
Rotor Diameter	620	620	840	1020
Rotor Type	Std	Std	Std	Std
Crushing Action	Semi Autogenous	Semi Autogenous	Semi Autogenous	Semi Autogenous
Maximum Crushing Velocity	76	76	78	78
Shipping Weight (Approx)	3.53	4.5	10.2	12

INDUS VSI CRUSHER



**ROOF OF THE IV - 3004 IS
FITTED WITH AN ELECTRO HYDRA LIFT**

ROOF LIFTER

HELP LINE

1800 233 6388

+91 20 24449600, 41203772

www.indusrocktool.co.in

HARDOX®
IN MY BODY

INDUS
ROCK TOOL

Value for Money



BRINGING THE BEST

VERTICAL SHAFT IMPACT CRUSHER

NAKODA MACHINERY PVT LTD CORPORATE OFFICE :

139, 1st Floor, Patil Plaza, Mitra Mandal Chowk,
Pune 411009 (Maharashtra, INDIA)

📞 +91 20 24449600, 41203772

🌐 www.indusrocktool.co.in

✉ sales@irt.co.in / info@irt.co.in

🐦 [@IndusRockTool](https://twitter.com/IndusRockTool)

📷 [indus-rock-tool](https://www.instagram.com/indus-rock-tool)

📘 [Indusrocktool.official](https://www.facebook.com/Indusrocktool.official)

✉ sales@induscrusher.com

🌐 www.induscrusher.com

Helpline : 1800 233 6388

Authorised Dealer



Wide Range of Products

